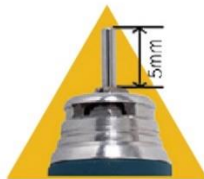
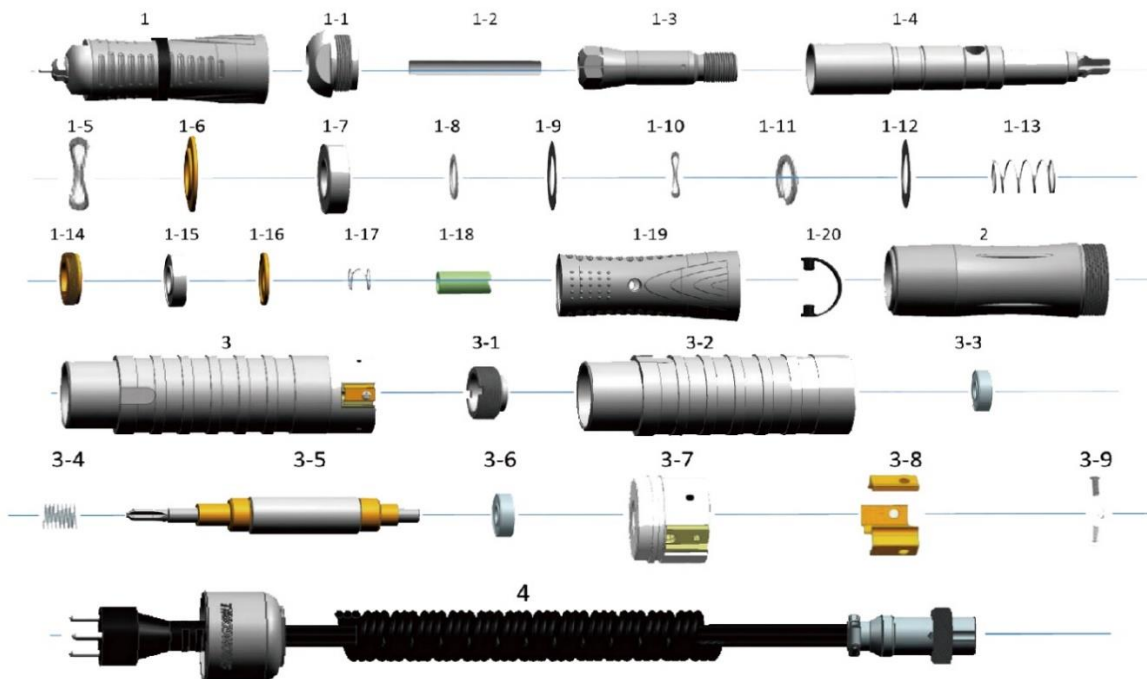


# TRUFLEX HANDPIECE for BP-HST CONTROLLER



## I. HANDPIECE INFORMATION



**Caution:** Do not extend burs too far



Chuck

2.35 3.0 3.175 6.35mm



wrench

	<b>DESCRIPTION</b>	<b>RAM ITEM#</b>
1	TruFlex Front Sheath	
1—1	TruFlex Nose Tip	
1—2	1/8" Blank Mandrel	
1—3	TruFlex Chuck 3/32" (2.35mm)	
	TruFlex Chuck 3mm	
	TruFlex Chuck 1/8" (3.175mm)	
	TruFlex Chuck 1/4" (6.35mm)	
1—4	TruFlex Chuck Case	
1—5	TruFlex Large Wave Washer	
1—6	TruFlex Dust Shield	
1—7	Ball Bearing(L-1910KK)	
1—8	TruFlex Flat Washer	
1—9	TruFlex DustProof Shield #1	
1—10	TruFlex Small Wave Washer	
1—11	TruFlex C Clip	
1—12	TruFlex DustProof Shield #2	
1—13	TruFlex Coiled Spring	
1—14	TruFlex ??????	
1—15	Ball Bearing(L-1680HH)	
1—16	TruFlex Bearing Shield	
1—17	TruFlex Spring for Delrin	
1—18	TruFlex Delrin Connector	
1—19	TruFlex Front Plastic Sheath	
1—20	TruFlex Rubber Plug for Locking Rod	
2	TruFlex Plastic Cover for Motor	
3	TruFlex 30K Motor Assembly	
3—1	TruFlex Adjusting Nut	
3—2	TruFlex Motor Case	
3—3	1040ZZ Ball Bearing	8505
3—4	TruFlex Front Spring for Magnet	
3—5	TruFlex High Power Magnet	
3—6	Not a Bearing	
3—7	TruFlex Rear Fitting for Motor	
3—8	TruFlex Terminal Clips	
3—9	TruFlex Motor Screw	
4	TruFlex Cord Assembly	